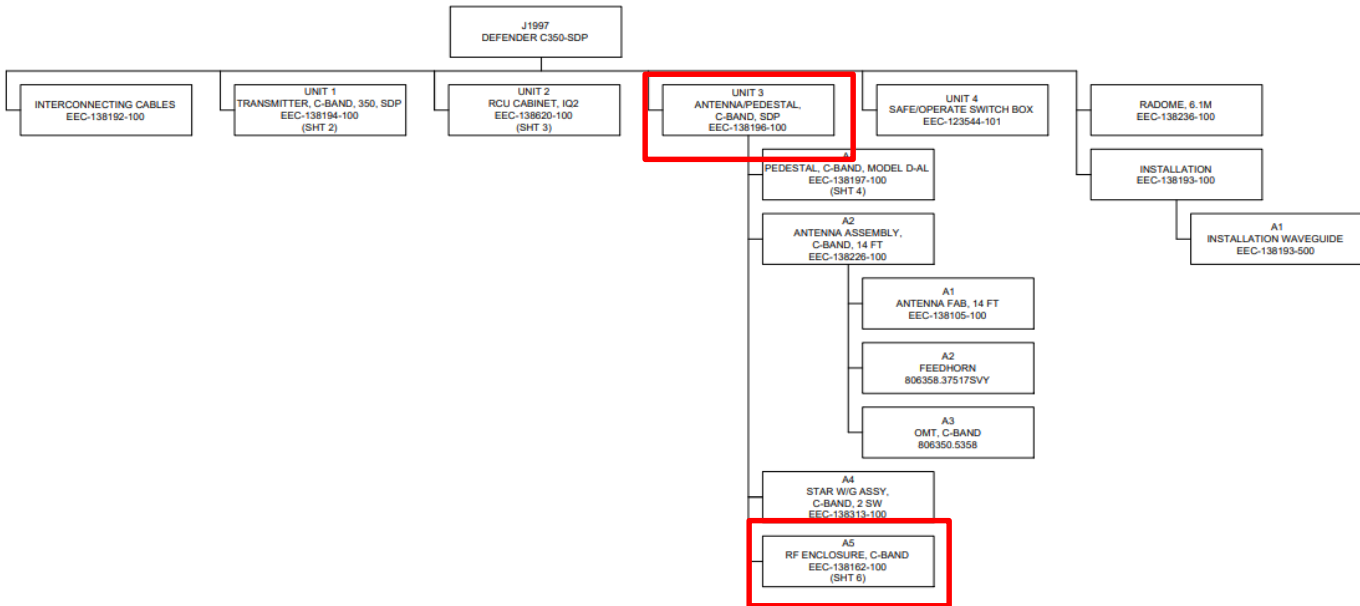


UNIT 3 A5

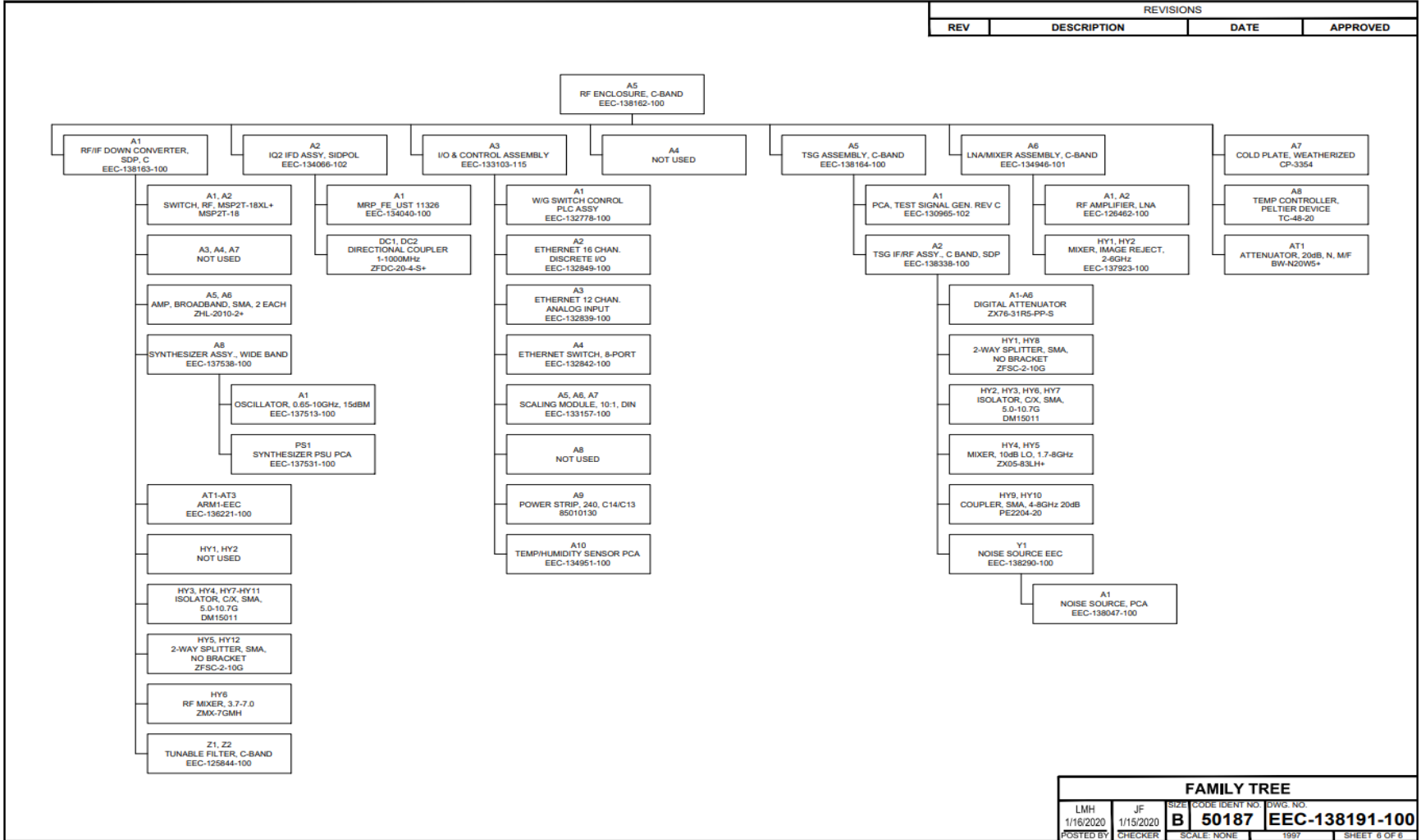
OFFICIAL ENTERPRISE ELECTRONICS CORPORATION (EEC) IDENTIFICATION CLAUSE: THE TECHNICAL DATA AND INFORMATION (HEREINAFTER "TECHNICAL DATA") CONTAINED HEREIN IS HIGHLY CONFIDENTIAL AND PROPRIETARY IN NATURE AND IS THE SOLE AND EXCLUSIVE INTELLECTUAL PROPERTY OF THE ENTERPRISE ELECTRONICS CORPORATION (EEC), ANY COMPANY, ORGANIZATION, ENTITY OR PERSONAL. WHOEVER TAKES THE USE OF THIS TECHNICAL DATA ("USER") AGREES THAT, UNLESS OTHERWISE SPECIFIED BY LAW, IT SHALL NOT DISCLOSE OR MAKE THE TECHNICAL DATA AVAILABLE IN ANY FORM TO A THIRD PARTY WITHOUT THE SPECIFIC EXPRESS WRITTEN CONSENT OF EEC. WHOEVER TAKES THE USE OF THIS TECHNICAL DATA ("USER") AGREES TO TAKE ALL NECESSARY STEPS TO ENSURE THAT INTELLECTUAL PROPERTY IS NOT DISCLOSED OR DISTRIBUTE BY HIS DIRECTORS, OFFICERS, EMPLOYEES, REPRESENTATIVES OR AGENTS IN VIOLATION OF THE CONFIDENTIALITY OF THE TECHNICAL DATA CONTAINED HEREIN. EEC HEREBY AGREES TO DEFEND, CONSIDER, AND HOLD HARMLESS EEC, ITS DIRECTORS, OFFICERS, EMPLOYEES, PARTNER COMPANY, AFFILIATE COMPANIES, AND/OR REPRESENTATIVES AND AGENTS AGAINST ALL SUCH LITIGATION OR DAMAGES, CLAIMS AND DAMAGES ARISING OUT OF THE DEATH OR INJURY TO ANY PERSON OR DAMAGE OF ANY KIND TO USER'S DIRECTORS, OFFICERS, EMPLOYEES, AGENTS OR PROPERTY AS A RESULT OF USER'S USE, MISUSE, ASSIGNMENTS OR INFRINGEMENTS OF THE TECHNICAL DATA CONTAINED HEREIN. EEC HAS MADE ITS BEST EFFORTS TO PROVIDE THE MOST CURRENT, CORRECT, AND CLEARLY EXPRESSED INFORMATION AS POSSIBLE, HOWEVER, INFORMATION ERRORS OR OMISSIONS MAY OCCUR, BUT WITHOUT LIMITATION TO THE ABOVE, EEC DISCLAIMS ANY RESPONSIBILITY FOR TYPOGRAPHICAL ERRORS OR PUNCTUATION ERRORS CONTAINED HEREIN. EEC IS A REGISTERED TRADEMARK OF EEC. EEC PROTECTING PEOPLE AND ASSETS IS A REGISTERED TRADEMARK OF EEC. RADAR IS A REGISTERED TRADEMARK OF EEC. TELESPACE IS A REGISTERED TRADEMARK OF EEC. EDGE IS A TRADEMARK OF EEC. SMALL VOLUME DUAL POLARIZATION RADAR SYSTEM OFFERED BY EEC ARE COVERED BY ONE OR MORE OF THE FOLLOWING PATENTS: US PATENT 7,505,610; US PATENT 7,610,349; US PATENT 7,756,191; US PATENT 7,800,385; US PATENT 7,854,848; US PATENT 7,911,408; US PATENT 7,911,409; US PATENT 7,911,410; US PATENT 7,911,411; US PATENT 7,911,412; US PATENT 7,911,413; US PATENT 7,911,414; US PATENT 7,911,415; US PATENT 7,911,416; US PATENT 7,911,417; US PATENT 7,911,418; US PATENT 7,911,419; US PATENT 7,911,420; US PATENT 7,911,421; US PATENT 7,911,422; US PATENT 7,911,423; US PATENT 7,911,424; US PATENT 7,911,425; US PATENT 7,911,426; US PATENT 7,911,427; US PATENT 7,911,428; US PATENT 7,911,429; US PATENT 7,911,430; US PATENT 7,911,431; US PATENT 7,911,432; US PATENT 7,911,433; US PATENT 7,911,434; US PATENT 7,911,435; US PATENT 7,911,436; US PATENT 7,911,437; US PATENT 7,911,438; US PATENT 7,911,439; US PATENT 7,911,440; US PATENT 7,911,441; US PATENT 7,911,442; US PATENT 7,911,443; US PATENT 7,911,444; US PATENT 7,911,445; US PATENT 7,911,446; US PATENT 7,911,447; US PATENT 7,911,448; US PATENT 7,911,449; US PATENT 7,911,450; US PATENT 7,911,451; US PATENT 7,911,452; US PATENT 7,911,453; US PATENT 7,911,454; US PATENT 7,911,455; US PATENT 7,911,456; US PATENT 7,911,457; US PATENT 7,911,458; US PATENT 7,911,459; US PATENT 7,911,460; US PATENT 7,911,461; US PATENT 7,911,462; US PATENT 7,911,463; US PATENT 7,911,464; US PATENT 7,911,465; US PATENT 7,911,466; US PATENT 7,911,467; US PATENT 7,911,468; US PATENT 7,911,469; US PATENT 7,911,470; US PATENT 7,911,471; US PATENT 7,911,472; US PATENT 7,911,473; US PATENT 7,911,474; US PATENT 7,911,475; US PATENT 7,911,476; US PATENT 7,911,477; US PATENT 7,911,478; US PATENT 7,911,479; US PATENT 7,911,480; US PATENT 7,911,481; US PATENT 7,911,482; US PATENT 7,911,483; US PATENT 7,911,484; US PATENT 7,911,485; US PATENT 7,911,486; US PATENT 7,911,487; US PATENT 7,911,488; US PATENT 7,911,489; US PATENT 7,911,490; US PATENT 7,911,491; US PATENT 7,911,492; US PATENT 7,911,493; US PATENT 7,911,494; US PATENT 7,911,495; US PATENT 7,911,496; US PATENT 7,911,497; US PATENT 7,911,498; US PATENT 7,911,499; US PATENT 7,911,500; US PATENT 7,911,501; US PATENT 7,911,502; US PATENT 7,911,503; US PATENT 7,911,504; US PATENT 7,911,505; US PATENT 7,911,506; US PATENT 7,911,507; US PATENT 7,911,508; US PATENT 7,911,509; US PATENT 7,911,510; US PATENT 7,911,511; US PATENT 7,911,512; US PATENT 7,911,513; US PATENT 7,911,514; US PATENT 7,911,515; US PATENT 7,911,516; US PATENT 7,911,517; US PATENT 7,911,518; US PATENT 7,911,519; US PATENT 7,911,520; US PATENT 7,911,521; US PATENT 7,911,522; US PATENT 7,911,523; US PATENT 7,911,524; US PATENT 7,911,525; US PATENT 7,911,526; US PATENT 7,911,527; US PATENT 7,911,528; US PATENT 7,911,529; US PATENT 7,911,530; US PATENT 7,911,531; US PATENT 7,911,532; US PATENT 7,911,533; US PATENT 7,911,534; US PATENT 7,911,535; US PATENT 7,911,536; US PATENT 7,911,537; US PATENT 7,911,538; US PATENT 7,911,539; US PATENT 7,911,540; US PATENT 7,911,541; US PATENT 7,911,542; US PATENT 7,911,543; US PATENT 7,911,544; US PATENT 7,911,545; US PATENT 7,911,546; US PATENT 7,911,547; US PATENT 7,911,548; US PATENT 7,911,549; US PATENT 7,911,550; US PATENT 7,911,551; US PATENT 7,911,552; US PATENT 7,911,553; US PATENT 7,911,554; US PATENT 7,911,555; US PATENT 7,911,556; US PATENT 7,911,557; US PATENT 7,911,558; US PATENT 7,911,559; US PATENT 7,911,560; US PATENT 7,911,561; US PATENT 7,911,562; US PATENT 7,911,563; US PATENT 7,911,564; US PATENT 7,911,565; US PATENT 7,911,566; US PATENT 7,911,567; US PATENT 7,911,568; US PATENT 7,911,569; US PATENT 7,911,570; US PATENT 7,911,571; US PATENT 7,911,572; US PATENT 7,911,573; US PATENT 7,911,574; US PATENT 7,911,575; US PATENT 7,911,576; US PATENT 7,911,577; US PATENT 7,911,578; US PATENT 7,911,579; US PATENT 7,911,580; US PATENT 7,911,581; US PATENT 7,911,582; US PATENT 7,911,583; US PATENT 7,911,584; US PATENT 7,911,585; US PATENT 7,911,586; US PATENT 7,911,587; US PATENT 7,911,588; US PATENT 7,911,589; US PATENT 7,911,590; US PATENT 7,911,591; US PATENT 7,911,592; US PATENT 7,911,593; US PATENT 7,911,594; US PATENT 7,911,595; US PATENT 7,911,596; US PATENT 7,911,597; US PATENT 7,911,598; US PATENT 7,911,599; US PATENT 7,911,600; US PATENT 7,911,601; US PATENT 7,911,602; US PATENT 7,911,603; US PATENT 7,911,604; US PATENT 7,911,605; US PATENT 7,911,606; US PATENT 7,911,607; US PATENT 7,911,608; US PATENT 7,911,609; US PATENT 7,911,610; US PATENT 7,911,611; US PATENT 7,911,612; US PATENT 7,911,613; US PATENT 7,911,614; US PATENT 7,911,615; US PATENT 7,911,616; US PATENT 7,911,617; US PATENT 7,911,618; US PATENT 7,911,619; US PATENT 7,911,620; US PATENT 7,911,621; US PATENT 7,911,622; US PATENT 7,911,623; US PATENT 7,911,624; US PATENT 7,911,625; US PATENT 7,911,626; US PATENT 7,911,627; US PATENT 7,911,628; US PATENT 7,911,629; US PATENT 7,911,630; US PATENT 7,911,631; US PATENT 7,911,632; US PATENT 7,911,633; US PATENT 7,911,634; US PATENT 7,911,635; US PATENT 7,911,636; US PATENT 7,911,637; US PATENT 7,911,638; US PATENT 7,911,639; US PATENT 7,911,640; US PATENT 7,911,641; US PATENT 7,911,642; US PATENT 7,911,643; US PATENT 7,911,644; US PATENT 7,911,645; US PATENT 7,911,646; US PATENT 7,911,647; US PATENT 7,911,648; US PATENT 7,911,649; US PATENT 7,911,650; US PATENT 7,911,651; US PATENT 7,911,652; US PATENT 7,911,653; US PATENT 7,911,654; US PATENT 7,911,655; US PATENT 7,911,656; US PATENT 7,911,657; US PATENT 7,911,658; US PATENT 7,911,659; US PATENT 7,911,660; US PATENT 7,911,661; US PATENT 7,911,662; US PATENT 7,911,663; US PATENT 7,911,664; US PATENT 7,911,665; US PATENT 7,911,666; US PATENT 7,911,667; US PATENT 7,911,668; US PATENT 7,911,669; US PATENT 7,911,670; US PATENT 7,911,671; US PATENT 7,911,672; US PATENT 7,911,673; US PATENT 7,911,674; US PATENT 7,911,675; US PATENT 7,911,676; US PATENT 7,911,677; US PATENT 7,911,678; US PATENT 7,911,679; US PATENT 7,911,680; US PATENT 7,911,681; US PATENT 7,911,682; US PATENT 7,911,683; US PATENT 7,911,684; US PATENT 7,911,685; US PATENT 7,911,686; US PATENT 7,911,687; US PATENT 7,911,688; US PATENT 7,911,689; US PATENT 7,911,690; US PATENT 7,911,691; US PATENT 7,911,692; US PATENT 7,911,693; US PATENT 7,911,694; US PATENT 7,911,695; US PATENT 7,911,696; US PATENT 7,911,697; US PATENT 7,911,698; US PATENT 7,911,699; US PATENT 7,911,700; US PATENT 7,911,701; US PATENT 7,911,702; US PATENT 7,911,703; US PATENT 7,911,704; US PATENT 7,911,705; US PATENT 7,911,706; US PATENT 7,911,707; US PATENT 7,911,708; US PATENT 7,911,709; US PATENT 7,911,710; US PATENT 7,911,711; US PATENT 7,911,712; US PATENT 7,911,713; US PATENT 7,911,714; US PATENT 7,911,715; US PATENT 7,911,716; US PATENT 7,911,717; US PATENT 7,911,718; US PATENT 7,911,719; US PATENT 7,911,720; US PATENT 7,911,721; US PATENT 7,911,722; US PATENT 7,911,723; US PATENT 7,911,724; US PATENT 7,911,725; US PATENT 7,911,726; US PATENT 7,911,727; US PATENT 7,911,728; US PATENT 7,911,729; US PATENT 7,911,730; US PATENT 7,911,731; US PATENT 7,911,732; US PATENT 7,911,733; US PATENT 7,911,734; US PATENT 7,911,735; US PATENT 7,911,736; US PATENT 7,911,737; US PATENT 7,911,738; US PATENT 7,911,739; US PATENT 7,911,740; US PATENT 7,911,741; US PATENT 7,911,742; US PATENT 7,911,743; US PATENT 7,911,744; US PATENT 7,911,745; US PATENT 7,911,746; US PATENT 7,911,747; US PATENT 7,911,748; US PATENT 7,911,749; US PATENT 7,911,750; US PATENT 7,911,751; US PATENT 7,911,752; US PATENT 7,911,753; US PATENT 7,911,754; US PATENT 7,911,755; US PATENT 7,911,756; US PATENT 7,911,757; US PATENT 7,911,758; US PATENT 7,911,759; US PATENT 7,911,760; US PATENT 7,911,761; US PATENT 7,911,762; US PATENT 7,911,763; US PATENT 7,911,764; US PATENT 7,911,765; US PATENT 7,911,766; US PATENT 7,911,767; US PATENT 7,911,768; US PATENT 7,911,769; US PATENT 7,911,770; US PATENT 7,911,771; US PATENT 7,911,772; US PATENT 7,911,773; US PATENT 7,911,774; US PATENT 7,911,775; US PATENT 7,911,776; US PATENT 7,911,777; US PATENT 7,911,778; US PATENT 7,911,779; US PATENT 7,911,780; US PATENT 7,911,781; US PATENT 7,911,782; US PATENT 7,911,783; US PATENT 7,911,784; US PATENT 7,911,785; US PATENT 7,911,786; US PATENT 7,911,787; US PATENT 7,911,788; US PATENT 7,911,789; US PATENT 7,911,790; US PATENT 7,911,791; US PATENT 7,911,792; US PATENT 7,911,793; US PATENT 7,911,794; US PATENT 7,911,795; US PATENT 7,911,796; US PATENT 7,911,797; US PATENT 7,911,798; US PATENT 7,911,799; US PATENT 7,911,800; US PATENT 7,911,801; US PATENT 7,911,802; US PATENT 7,911,803; US PATENT 7,911,804; US PATENT 7,911,805; US PATENT 7,911,806; US PATENT 7,911,807; US PATENT 7,911,808; US PATENT 7,911,809; US PATENT 7,911,810; US PATENT 7,911,811; US PATENT 7,911,812; US PATENT 7,911,813; US PATENT 7,911,814; US PATENT 7,911,815; US PATENT 7,911,816; US PATENT 7,911,817; US PATENT 7,911,818; US PATENT 7,911,819; US PATENT 7,911,820; US PATENT 7,911,821; US PATENT 7,911,822; US PATENT 7,911,823; US PATENT 7,911,824; US PATENT 7,911,825; US PATENT 7,911,826; US PATENT 7,911,827; US PATENT 7,911,828; US PATENT 7,911,829; US PATENT 7,911,830; US PATENT 7,911,831; US PATENT 7,911,832; US PATENT 7,911,833; US PATENT 7,911,834; US PATENT 7,911,835; US PATENT 7,911,836; US PATENT 7,911,837; US PATENT 7,911,838; US PATENT 7,911,839; US PATENT 7,911,840; US PATENT 7,911,841; US PATENT 7,911,842; US PATENT 7,911,843; US PATENT 7,911,844; US PATENT 7,911,845; US PATENT 7,911,846; US PATENT 7,911,847; US PATENT 7,911,848; US PATENT 7,911,849; US PATENT 7,911,850; US PATENT 7,911,851; US PATENT 7,911,852; US PATENT 7,911,853; US PATENT 7,911,854; US PATENT 7,911,855; US PATENT 7,911,856; US PATENT 7,911,857; US PATENT 7,911,858; US PATENT 7,911,859; US PATENT 7,911,860; US PATENT 7,911,861; US PATENT 7,911,862; US PATENT 7,911,863; US PATENT 7,911,864; US PATENT 7,911,865; US PATENT 7,911,866; US PATENT 7,911,867; US PATENT 7,911,868; US PATENT 7,911,869; US PATENT 7,911,870; US PATENT 7,911,871; US PATENT 7,911,872; US PATENT 7,911,873; US PATENT 7,911,874; US PATENT 7,911,875; US PATENT 7,911,876; US PATENT 7,911,877; US PATENT 7,911,878; US PATENT 7,911,879; US PATENT 7,911,880; US PATENT 7,911,881; US PATENT 7,911,882; US PATENT 7,911,883; US PATENT 7,911,884; US PATENT 7,911,885; US PATENT 7,911,886; US PATENT 7,911,887; US PATENT 7,911,888; US PATENT 7,911,889; US PATENT 7,911,890; US PATENT 7,911,891; US PATENT 7,911,892; US PATENT 7,911,893; US PATENT 7,911,894; US PATENT 7,911,895; US PATENT 7,911,896; US PATENT 7,911,897; US PATENT 7,911,898; US PATENT 7,911,899; US PATENT 7,911,900; US PATENT 7,911,901; US PATENT 7,911,902; US PATENT 7,911,903; US PATENT 7,911,904; US PATENT 7,911,905; US PATENT 7,911,906; US PATENT 7,911,907; US PATENT 7,911,908; US PATENT 7,911,909; US PATENT 7,911,910; US PATENT 7,911,911; US PATENT 7,911,912; US PATENT 7,911,913; US PATENT 7,911,914; US PATENT 7,911,915; US PATENT 7,911,916; US PATENT 7,911,917; US PATENT 7,911,918; US PATENT 7,911,919; US PATENT 7,911,920; US PATENT 7,911,921; US PATENT 7,911,922; US PATENT 7,911,923; US PATENT 7,911,924; US PATENT 7,911,925; US PATENT 7,911,926; US PATENT 7,911,927; US PATENT 7,911,928; US PATENT 7,911,929; US PATENT 7,911,930; US PATENT 7,911,931; US PATENT 7,911,932; US PATENT 7,911,933; US PATENT 7,911,934; US PATENT 7,911,935; US PATENT 7,911,936; US PATENT 7,911,937; US PATENT 7,911,938; US PATENT 7,911,939; US PATENT 7,911,940; US PATENT 7,911,941; US PATENT 7,911,942; US PATENT 7,911,943; US PATENT 7,911,944; US PATENT 7,911,945; US PATENT 7,911,946; US PATENT 7,911,947; US PATENT 7,911,948; US PATENT 7,911,949; US PATENT 7,911,950; US PATENT 7,911,951; US PATENT 7,911,952; US PATENT 7,911,953; US PATENT 7,911,954; US PATENT 7,911,955; US PATENT 7,911,956; US PATENT 7,911,957; US PATENT 7,911,958; US PATENT 7,911,959; US PATENT 7,911,960; US PATENT 7,911,961; US PATENT 7,911,962; US PATENT 7,911,963; US PATENT 7,911,964; US PATENT 7,911,965; US PATENT 7,911,966; US PATENT 7,911,967; US PATENT 7,911,968; US PATENT 7,911,969; US PATENT 7,911,970; US PATENT 7,911,971; US PATENT 7,911,972; US PATENT 7,911,973; US PATENT 7,911,974; US PATENT 7,911,975; US PATENT 7,911,976; US PATENT 7,911,977; US PATENT 7,911,978; US PATENT 7,911,979; US PATENT 7,911,980; US PATENT 7,911,981; US PATENT 7,911,982; US PATENT 7,911,983; US PATENT 7,911,984; US PATENT 7,911,985; US PATENT 7,911,986; US PATENT 7,911,987; US PATENT 7,911,988; US PATENT 7,911,989; US PATENT 7,911,990; US PATENT 7,911,991; US PATENT 7,911,992; US PATENT 7,911,993; US PATENT 7,911,994; US PATENT 7,911,995; US PATENT 7,911,996; US PATENT 7,911,997; US PATENT 7,911,998; US PATENT 7,911,999; US PATENT 7,911,1000.

REVISONS			
REV	DESCRIPTION	DATE	APPROVED

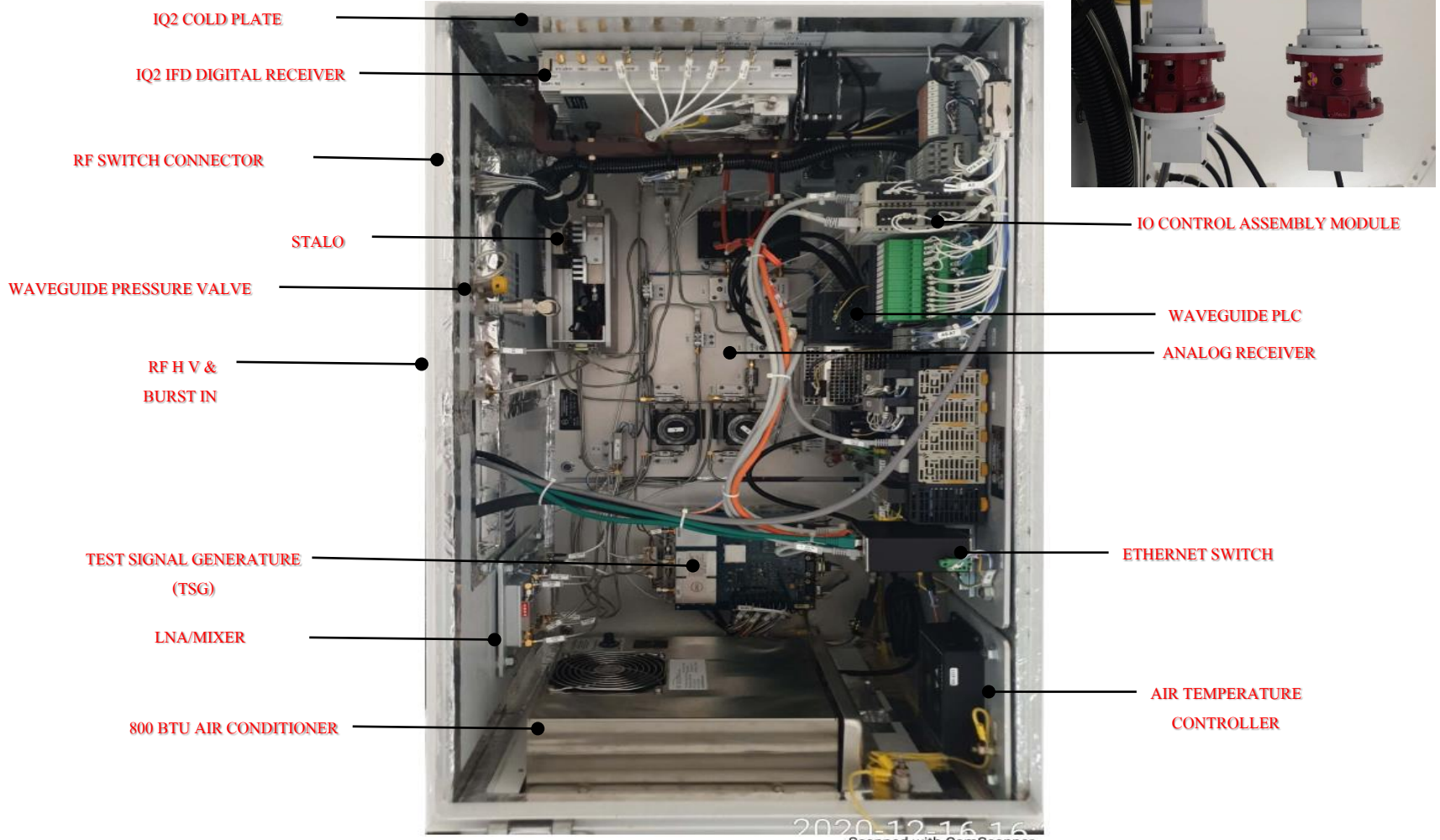


DRAFTSMAN	L. HELVIN	DATE	7/10/2019	<b>EEC</b> ENTERPRISE ELECTRONICS CORPORATION ENTERPRISE, ALABAMA 36330
WORK ORDER NUMBER	A19-0107	DATE	7/28/2019	
CHECKER	J. FANNING	DATE	1/15/2020	<b>FAMILY TREE</b>
DESIGN ENGINEER	J. FANNING	DATE	1/15/2020	
PROJECT ENGINEER	J. FANNING	DATE	1/15/2020	<b>B</b> 50187 <b>EEC-138191-100</b>
QUALITY ASSURANCE	E. LAWRENCE	DATE	1/15/2020	
DRAWN BY	L. HELVIN	DATE	1/16/2020	SCALE: NONE
		1997	SHEET 1 OF 6	

UNIT 3 A5 RF - ENCLOSURE



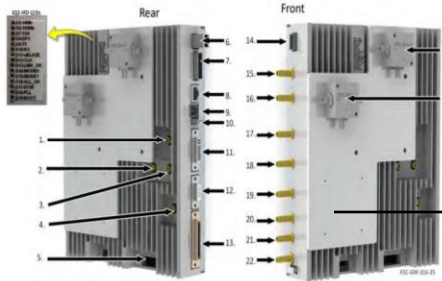
RF ENCLOSURE CABINET



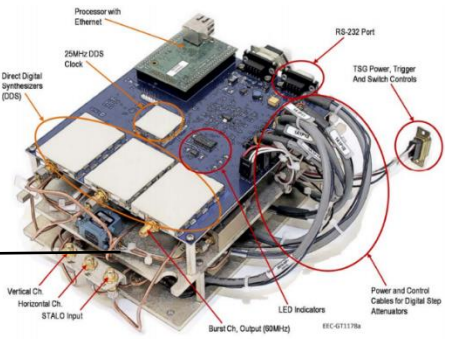
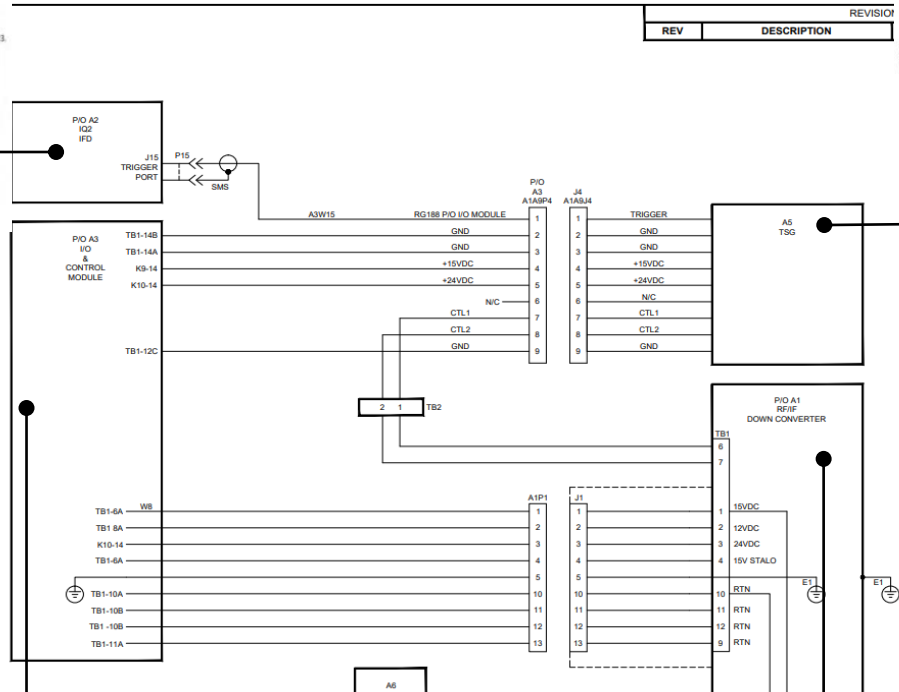
RF Enclosure Cabinet

ประกอบด้วย Analog Receiver และ Digital Receiver ทำหน้าที่ นำสัญญาณ RF Pulse ที่สะท้อนกลับมาขยายและกรองส่วนที่ไม่ต้องการออก จากนั้นแปลงจากสัญญาณอนาล็อกเป็นสัญญาณดิจิทัลโดยใช้ Digital Receiver IQ2-IFD ก่อนส่งไปยัง Digital Signal Processor IQ2-MRP ผ่าน Fiber Optic cable

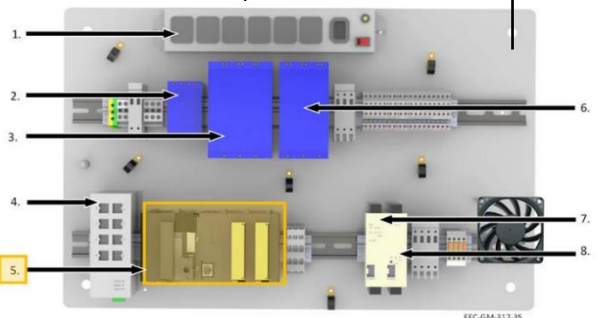
RF-ENCLOSURE CONNECTION



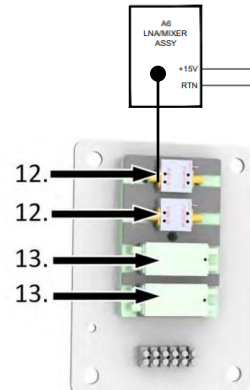
Digital Receiver IQ2-IFD



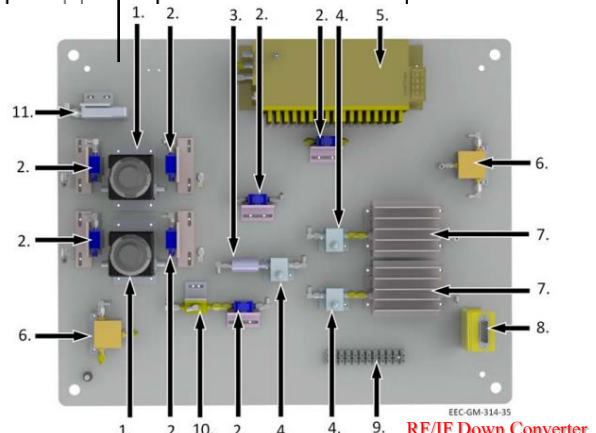
Test Signal Generator



IO Controller Module



LNA & Mixer

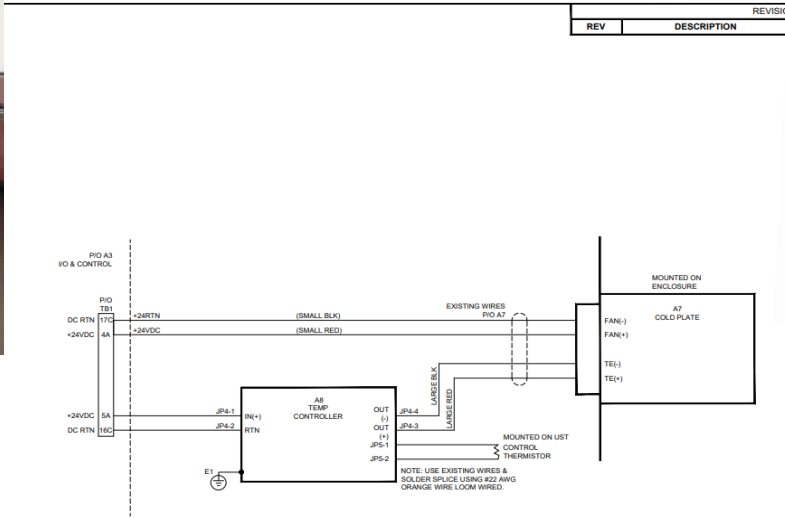


RF/IF Down Converter

RF/IF DOWN CONVERTER



STALO



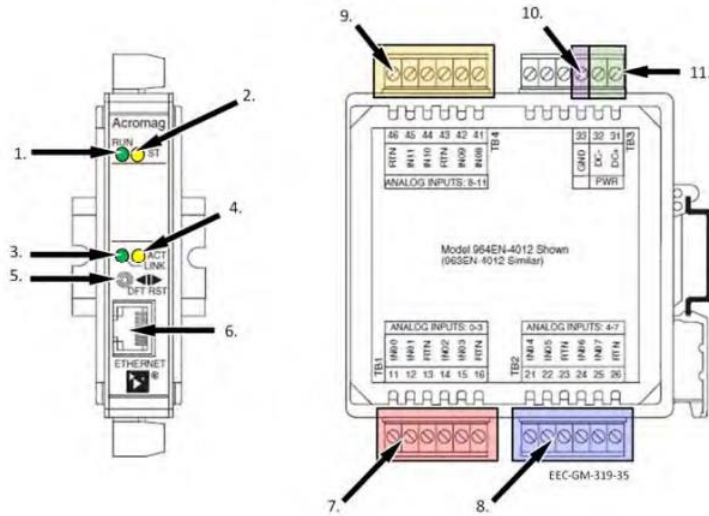
IQ2 Cold Plate



Cold Plate Temperature Controller

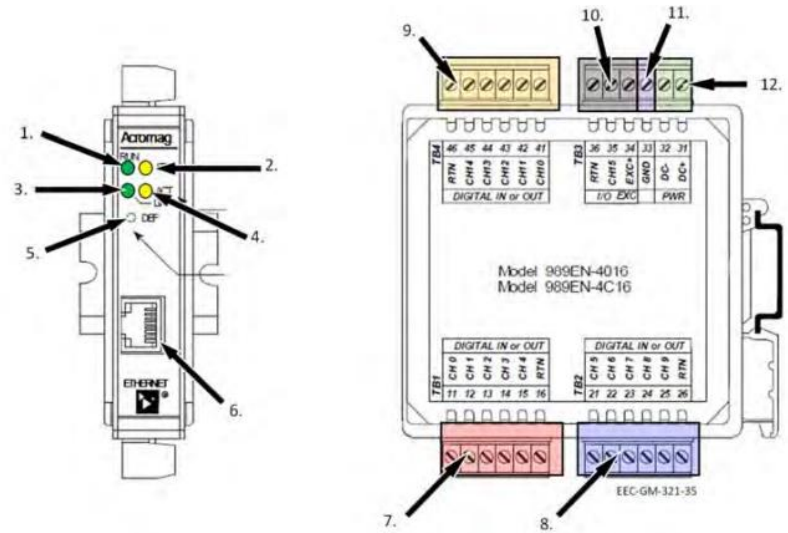


800 BTU Peltier Air Conditioner



12-Channel Analog I/O Unit

- |  |                      |
|--|----------------------|
| 1. Run/Power LED (GREEN)                 | 7. I/O Port (CH0-3)  |
| 2. Module Status LED (YELLOW)            | 8. I/O Port (CH4-7)  |
| 3. Ethernet Activity LED (YELLOW)        | 9. I/O Port (CH8-11) |
| 4. Link LED (GREEN)                      | 10. Ground           |
| 5. Reset / Default Address Toggle Switch | 11. DC Power         |
| 6. RJ45 Ethernet Connector               |                      |



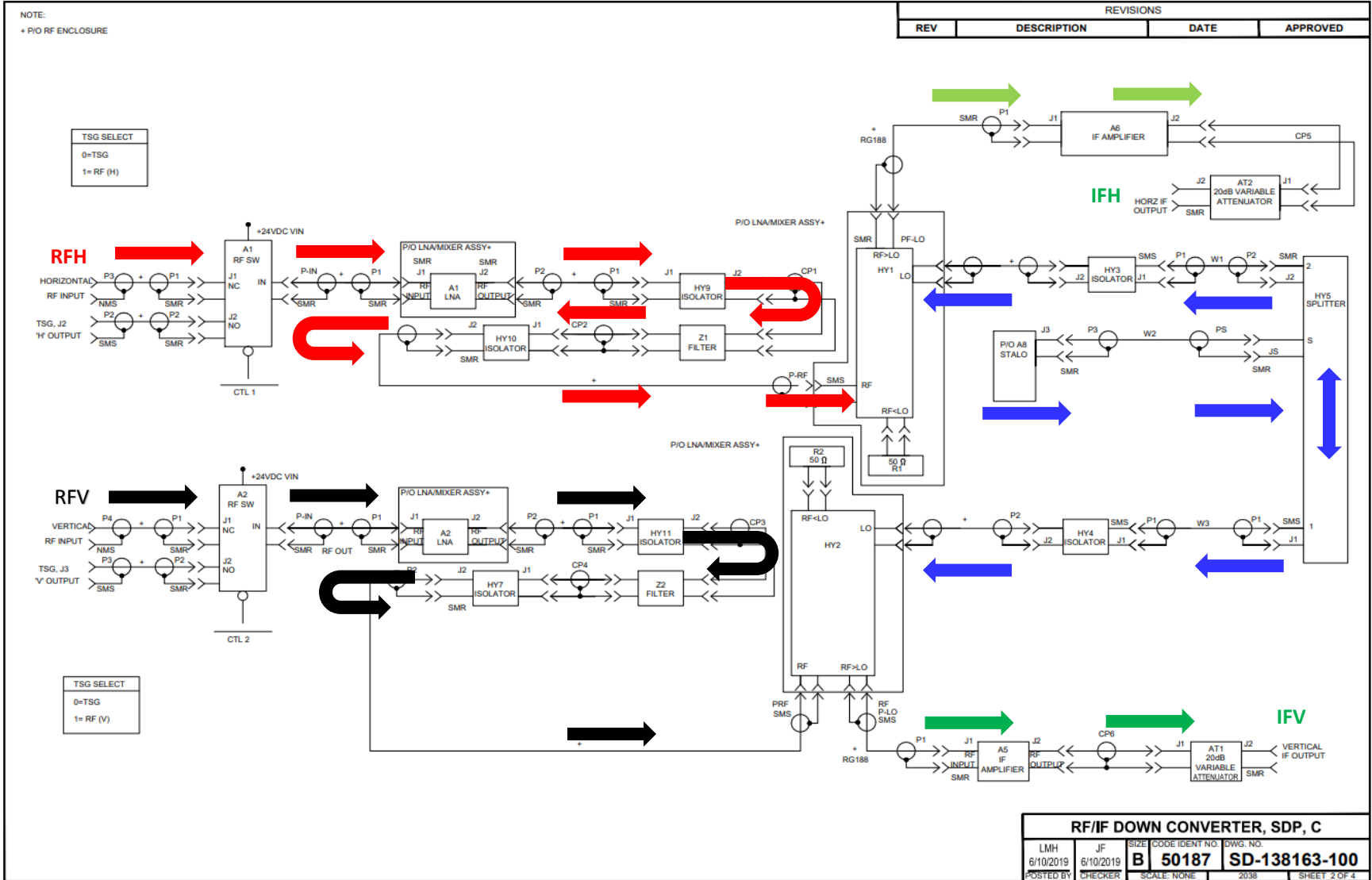
16-Channel Digital I/O Unit

- |                            |                      |
|----------------------------|----------------------|
| 1. Run / Power LED (Green) | 7. Terminal Block 1  |
| 2. Status LED (Yellow)     | 8. Terminal Block 2  |
| 3. Ethernet Link (Green)   | 9. Terminal Block 4  |
| 4. Activity LED (Yellow)   | 10. Terminal Block 3 |
| 5. Default Address Button  | 11. Ground           |
| 6. RJ45 Ethernet Connector | 12. DC Power         |

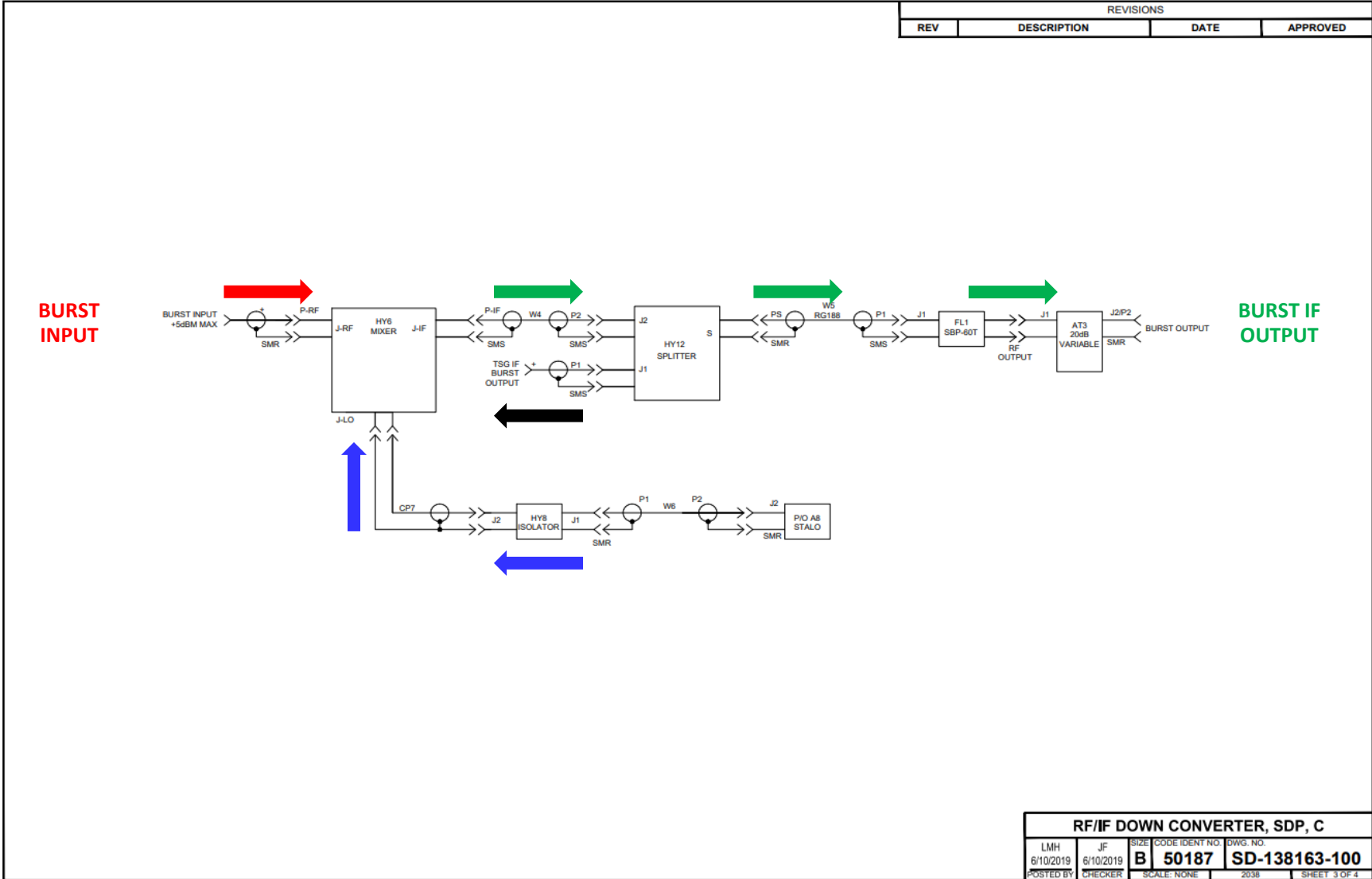
**Analog I/O Unit** ประกอบด้วย ช่องรับสัญญาณ IO จำนวน 12 ช่อง เพื่อรับสัญญาณอนาล็อกจาก Sensors ที่ต่อทางด้านอินพุต

**Digital I/O Unit** ประกอบด้วย ช่องรับ/ส่งสัญญาณ IO ชนิด Digital จำนวน 16 ช่องภายในชุดเดียว และอัปเดตข้อมูลทุก ๆ 1 ms. และสามารถติดต่อผ่านทาง Browser ได้

RF/IF DOWN CONVERTER / H & V RF SIGNAL FLOW



RF/IF DOWN CONVERTER/BURST SIGNAL FLOW





RF/IF DOWN CONVERTER

